

CONTROL UNIT C2000

C 2000 CONTROL UNIT FOR TEMPERATURE AND HUMIDITY.

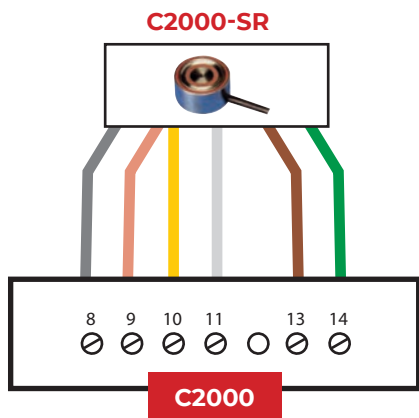
The C2000 control unit and relative sensors are suitable for the tracing with both self-regulating cables and constant power cables. The unit allows you to power the system only when low temperatures and humid surfaces (snow - ice, etc.) are present simultaneously.



Signalling lamps

- ON voltage
- RELAY cable on power
- MOIST humidity presence
- TEMP the temperature is lower than the fixed

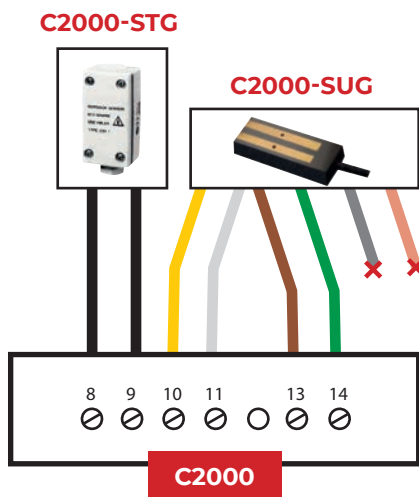
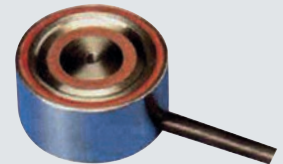
Voltage: 230V c.a. +/- 10% 50/60Hz
Output: N° 1 relays
Switching capacity: 16A (3600 W)
Differential ON/OFF: 0,4°C
Temperature Range: 0-10°C
After run time: 1-6 hours
Protection degree: IP20
Dimensions: 85 x 42 x 48,8 mm
Weight: 252 gr
Room temperature: 0/50°C



C2000-SR

HUMIDITY AND TEMPERATURE SENSOR FOR RAMPS AND STAIRS.

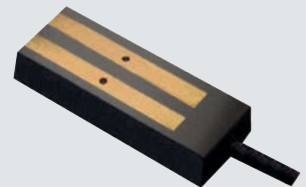
Dimensions: h 32 mm - Ø 60 mm
Protection degree: IP68
Ambient temperature: -20°C / +70°C
Connecting cable: 6x1,5 mm², length. 10 m (possible increase up to 200 m)



C2000-SUG

ICE AND SNOW SENSOR FOR GUTTERS.

Dimensions: 105 x 30 x 10mm
Protection degree: IP68
Ambient temperature: -20°C / +70°C
Connecting cable: 4x1,5 mm², length 10 m (possible increase up to 200 m)



C2000-STG

TEMPERATURE SENSOR FOR GUTTERS.

Dimensions: 86 x 45 x 35 mm
Protection degree: IP55
Ambient temperature: -20°C / 70°C
Connecting cable: not included

