

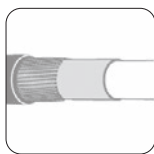
SINGLE CORE SEPARABLE CONNECTORS WITH EXTERNAL CONE WITH CONTACT SCREW IN=630 A

Separable connectors for MV cables with extruded radial field, for voltages up to **19/33 (36) kV**.

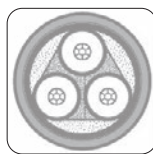
Single core separable connectors with contact screw, for extruded cables. External coating in semi-conductive rubber protects personnel from electrocution. Each termination is factory tested before delivery with dielectric strength testing and measurements of partial discharges.



Kit available for tape screen. Add "A" to the end of the "Product code".



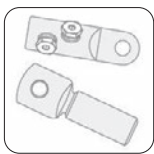
Connection kit for wire shield included.



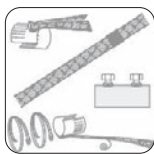
Kit available for three core cables. Order kit "TK." See table.



For use in potentially explosive areas (12kV max.) Order: -/ATEX.



Different types of cable lugs available.



Contact Raytech for different shield grounding systems available.

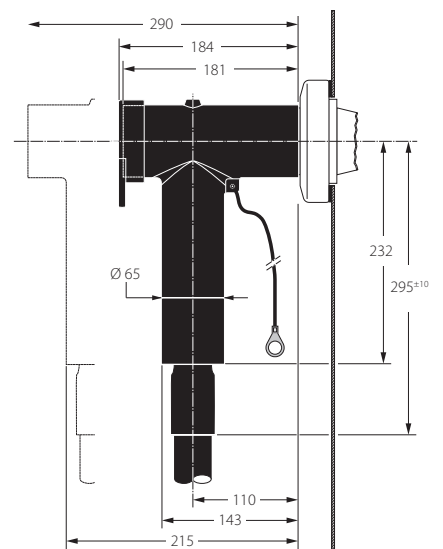
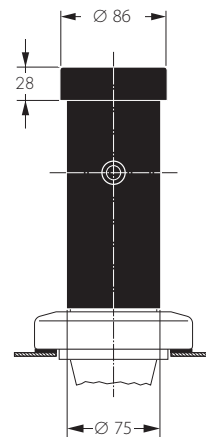


Complies with standards

CEI 20-62/1 - Cenelec HD 629 .1 S2

Kit composition:

Three single core terminations



SEPARABLE TEE INTERFACE "C" TERMINATION 24/36KV - 630 A

Product	Item	Voltage Umax (kV)	Cable insulation Ø range (mm)	Copper/aluminium mechanical conductor cross section range (mm ²)
630 RTT-20/A-3-C95	630RTT20/A-3-C95	24	12,0 - 19,0	16 - 95
630 RTT-20/B-3-C95	630RTT20/B-3-C95		16,0 - 26,5	16 - 95
630 RTT-20/C-3-C240	630RTT20/C3-C240		19,0 - 32,6	95 - 240
630 RTT-20/D-3-C300	630RTT20/D3-C300		28,5 - 37,5	120 - 300
630 RTO-20/A-3-C400	630RTO20/A3-C400		28,5 - 37,5	185 - 400
630 RTO-20/B-3-C400	630RTO20/B3-C400		34,0 - 42,5	185 - 400
630 RTO-20/C-3-C630	630RTO20/C3-C630		39,0 - 48,5	400 - 630
630 RTO-20/D-3-C630	630RTO20/D3-C630		45,5 - 56,0	400 - 630
630 RTT-30/A-3-C95	630RTT30/A-3-C95	36	19,0 - 32,6	16 - 95
630 RTT-30/B-3-C240	630RTT30/B3-C240		22,0 - 34,6	95 - 240
630 RTT-30/C-3-C300	630RTT30/C3-C300		28,5 - 37,5	120 - 300
630 RTO-30/A-3-C400	630RTO30/A3-C400		28,5 - 37,5	185 - 400
630 RTO-30/B-3-C400	630RTO30/B3-C400		34,0 - 42,5	185 - 400
630 RTO-30/C-3-C630	630RTO30/C3-C630		39,0 - 48,5	400 - 630
630 RTO-30/D-3-C630	630RTO30/D3-C630		45,5 - 56,0	400 - 630